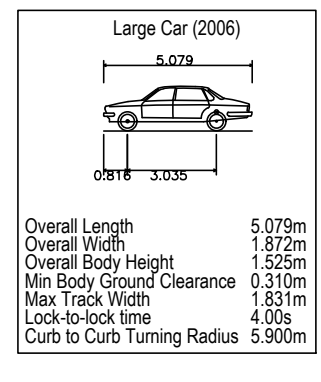
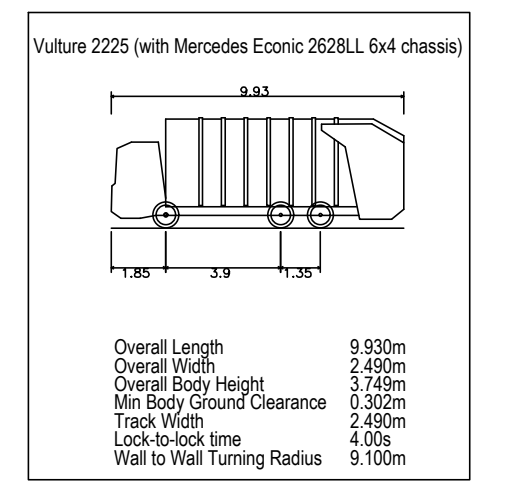


© COPYRIGHT OF THIS DRAWING IS RESERVED BY DBFL CONSULTING ENGINEERS. NO PART SHALL BE REPRODUCED OR TRANSMITTED WITHOUT THEIR WRITTEN PERMISSION.

NO CHANGES OF WHATSOEVER NATURE ARE TO BE MADE TO ANY DETAILS SET OUT OR CONTAINED IN ANY DBFL SPECIFICATIONS OR DRAWINGS UNLESS THE EXPRESS CONSENT HAS BEEN OBTAINED IN ADVANCE, IN WRITING, FROM DBFL.

- NOTES:
1. ALL DIMENSIONS AND LEVELS IN METRES, EXCEPT IF NOTED OTHERWISE
 2. ALL LEVELS TO MAIN HEAD DATUM
 3. CO-ORDINATE SYSTEM IS: IRISH TRANSVERSE MERCATOR
 4. REFER TO ARCHITECTS PLAN LAYOUTS FOR SITE BOUNDARY / CLIENT OWNERSHIP BOUNDARY / WORKS BOUNDARY
 5. REFER TO DBFL DRAWING 190170-DBFL-RD-SP-DR-C-1001 FOR ROAD LEVELS AND MEASUREMENTS
 6. REFER TO DBFL DRAWING 190170-DBFL-RD-SP-DR-C-1002 FOR ROAD MARKINGS AND SIGNAGE
 7. REFER TO DBFL DRAWING 190170-DBFL-RD-SP-DR-C-1003 FOR KERBING LAYOUT
 8. REFER TO DBFL DRAWINGS 190170-DBFL-RD-SP-DR-C-5001 - 190170-DBFL-RD-SP-DR-C-5003 FOR ROAD DETAILS.
 9. ALL WORKS TO BE UNDERTAKEN IN ACCORDANCE WITH:
 - IRISH WATER CODE OF PRACTICE AND STANDARD DETAILS FOR WASTEWATER INFRASTRUCTURE
 - TII SPECIFICATION FOR ROADWORKS
 - GREATER DUBLIN CODE OF PRACTICE FOR DRAINAGE WORKS RECOMMENDATIONS FOR SITE DEVELOPMENT WORKS

- LEGEND:
- Application Boundary
 - House No & Type
 - FFL 99.99
 - Finished Floor Level
 - Road Edge (In-Situ Kerb)
 - Footpath Edge
 - Road Centreline
 - Road Radius
 - Road Width
 - Road Ramp
 - Dropped Kerb with Tactile Paving
 - Corduroy Paving
 - Vehicle Forward Movement
 - Vehicle Reverse Movement
 - 2.4m x 10m
 - Sightline



ORDNANCE SURVEY IRELAND LICENCE
No EN 0017922
© ORDNANCE SURVEY IRELAND
GOVERNMENT OF IRELAND

P02	21/03/22	ISSUED FOR PLANNING	RSP	LMcL
P01	08/10/20	ISSUED FOR PRE-PLANNING	APW	BJM
rev	date	description	by	chkd.
client approval		A - Approved		
		B - Approved with comments		
		C - Do not use		

subtlety S2 - FOR INFORMATION PLANNING

DBFL Consulting Engineers
Civil, Structural & Transportation Engineering
www.dbfl.ie

DUBLIN OFFICE: Ormond House, Upper Ormond Quay, Dublin 7, D07 W704
PHONE: +353 1 401 4000

CORK OFFICE: 14 South Mall, Cork, T12 CT91
PHONE: +353 21 2024538

WATERFORD OFFICE: Suite 10 The Ashurst, Maritime Quay, Canada Street, Waterford, X91 W028
PHONE: +353 51 309 500

project ref. RESIDENTIAL DEVELOPMENT AT HACKETTSTOWN, SKERRIES, CO. DUBLIN

drawing title ROAD VEHICLE VISIBILITY AND MANOEUVERING LAYOUT PLAN - SHEET 1

client LAND DEVELOPMENT AGENCY

designed by	author	scale	sheet size
BJM	APW	1:500	A1
drawing no.	revision		
190170-DBFL-RD-SP-DR-C-1004	P02		

